

DAS Series

PRODUCT DATA SHEET

Metal Heater

Designed specifically for phosphate applications

For use in iron, zinc and manganese phosphate tanks

Rugged cast steel terminal enclosure with 3 ft (.9m) flexible PVC liquid tight conduit

Schedule 40, heavy wall, 316 stainless steel sheath withstands scaling better than traditional heaters

Grounded construction and built in thermal protector



1,000 watts to 10,000 watts



120 to 600 volts



Schedule 40, heavy wall, 316 stainless steel sheath



CE compliant (except 600 volts)

DAS SERIES, PHOSPHATE HEATERS					
WATTS	VOLTS	HOT ZONE In./(mm.)	OVERALL LENGTH In./(mm.)	MODEL NUMBER	SHIP WGT. Lbs./(kg.)
1000	120	7	11	DAS1111-P4	17
	240	(180)	(280)	DAS1211-P4	(8)
2000	240	12	17	DAS2217-P4	20
	480	(305)	(430)	DAS2417-P4	(9)
3000	240	18	23	DAS3223-P4	24
	480	(460)	(585)	DAS3423-P4	(11)
3500	240	21	29	DAS3.5229-P4	30
	480	(535)	(735)	DAS3.5429-P4	(14)
4000	240	28	35	DAS4235-P4	36
	480	(710)	(890)	DAS4435-P4	(16)
5000	240	33	41	DAS5241-P4	42
	480	(840)	(1040)	DAS5441-P4	(19)
6000	240	39	47	DAS6247-P4	48
	480	(990)	(1195)	DAS6447-P4	(22)
8000	240	49	59	DAS8259-P4	58
	480	(1245)	(1500)	DAS8459-P4	(27)
10000	240	62	71	DAS10271-P4	64
	480	(1575)	(1805)	DAS10471-P4	(30)

**PROCESS
TECHNOLOGY**

ISO 9001:2015
WITH DESIGN CERTIFIED

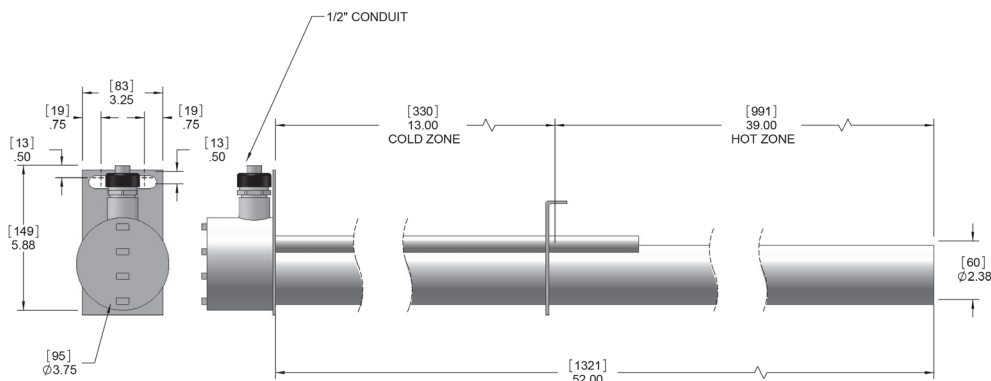
Features & Values

- For use in iron, zinc and manganese phosphate tanks
- Schedule 40, heavy wall, 316 stainless steel sheath withstands scaling better than traditional heaters
- Low watt densities of 23 watts per square inch (3.5 w/cm²) helps to minimize scaling while only utilizing the space required for a full watt density heater
- Rugged cast steel terminal enclosure with 3-foot (.9m) flexible PVC liquid tight conduit
- NOTE: Do not use in any aluminum reactive alkaline solutions.

Specifications

Wattages	1,000 watts to 10,000 watts
Voltages	120 to 600 volts
Options	<ul style="list-style-type: none"> ▫ Thermal protectors: Replaceable high temperature fuses or resettable P2 bi-metal switches in two temperature ranges. ▫ Special configurations and lengths ▫ Longer wire and conduit lengths ▫ Temperature and level controls sized to match the heater
Safety Features	<ul style="list-style-type: none"> ▫ Grounded construction ▫ Thermal protector built in. Replaceable P4 protector standard ▫ Non-floating construction
Certifications	CE compliant (except 600 volts)

Dimensions



Model Number Breakdown

DAS	2	3	23	-P5
Series	Wattage	Voltage	Length (in.)	Type of Protector
DAS	1 = 1000	1 = 120	11 = 1kW	Replaceable Protector
	2 = 2000	2 = 240	17 = 2kW	-P4 (std) = for solutions up to 230°F
	3 = 3000	3 = 380	23 = 3kW	-P5 = for solutions 230° - 300°F
	4 = 4000	4 = 480	29 = 3.5 kW	Resettable Protector
	5 = 5000	5 = 415	35 = 4kW	(additional control componets required)
	6 = 6000	6 = 600	41 = 5kW	-P6 = for solutions up to 230°F
	8 = 8000	7 = 400	47 = 6kW	-P7 = for solutions 230° - 300°F
	10 = 10000	8 = 208	59 = 8kW	
		9 = 220	71 = 10kW	
		0 = 200	specify custom lengths, not to exceed tank depth	Wire and Conduit Length
				no designator = 36" length standard
				-P4 (std) = for solutions up to 230°F
				-P5 = for solutions 230° - 300°F
				specify variations from standard Ex: - X84 = 84"

PROCESS TECHNOLOGY